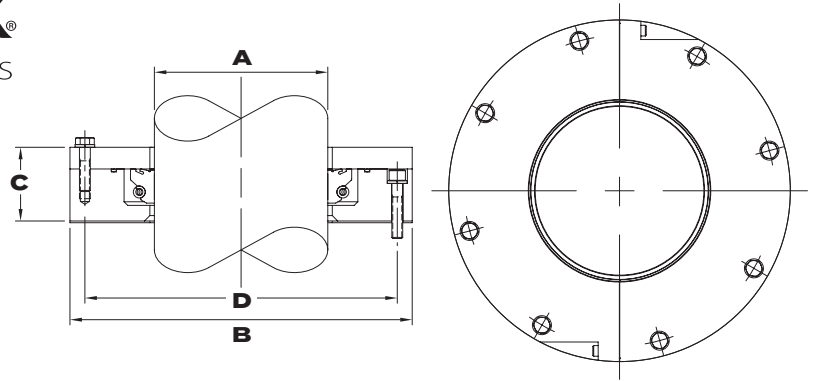


DURAMAX®  
**DryMax**®  
 SHAFT SEAL SYSTEMS



**Information Required To Quote:**

RUDDER SEAL SPACE REQUIREMENTS								
Model	A Rudder Stock Dia. (in or mm)	B DryMax OD (in)	B DryMax OD (mm)	C Length (in)	C Length (mm)	D BCD (in)	D BCD (mm)	Bolt (in)

Type Stock Size (between 3.5 - 36.49 inch or 89 - 927 mm) – select inch or mm – Click OK

**Customer Information:**

Name: \_\_\_\_\_  
 Company: \_\_\_\_\_  
 Address: \_\_\_\_\_  
 City: \_\_\_\_\_ State: \_\_\_\_\_ Zip: \_\_\_\_\_  
 Country: \_\_\_\_\_  
 Email: \_\_\_\_\_  
 Phone: \_\_\_\_\_

**Vessel Information:**

1. Vessel Name: \_\_\_\_\_  
 2. Vessel \*IMO# / Hull#: \_\_\_\_\_  
 3. Stock Diameter: \_\_\_\_\_  
 4. Hull Material: \_\_\_\_\_  
 5. Quantity: \_\_\_\_\_  
 6. New Construction/Retro-fit: \_\_\_\_\_  
 7. Serial Number (existing seal): \_\_\_\_\_  
 8. Original Installation Date: \_\_\_\_\_  
 9. Original Installation Yard: \_\_\_\_\_  
 10. Shipyard Name: \_\_\_\_\_

**Information for DryMax Seal Retrofit Installation:**

1. Adapter Plate Required:            YES            NO  
 2. Existing BCD (bolt circle diameter): \_\_\_\_\_  
 3. Existing Number of Bolts: \_\_\_\_\_

**Notes:**

\_\_\_\_\_  
 \_\_\_\_\_

\*(IMO) - International Maritime Number



FORWARD TOGETHER.