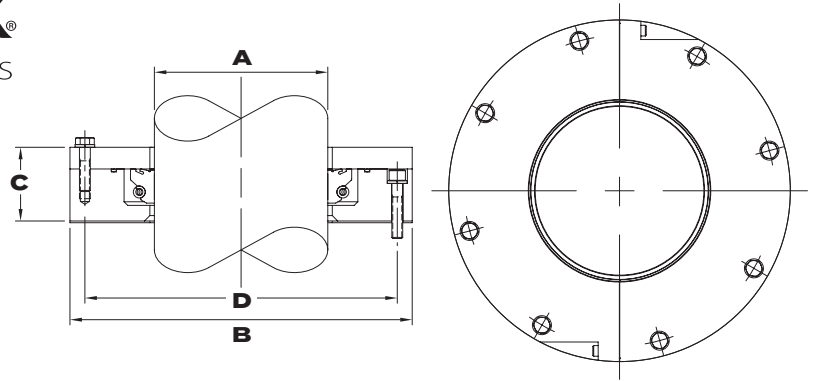


DURAMAX®
DryMax®
 SHAFT SEAL SYSTEMS



Information Required To Quote:

RUDDER SEAL SPACE REQUIREMENTS								
Model	A Rudder Stock Dia. (in or mm)	B DryMax OD (in)	B DryMax OD (mm)	C Length (in)	C Length (mm)	D BCD (in)	D BCD (mm)	Bolt (in)

Type Stock Size (between 3.5 - 36.49 inch or 89 - 927 mm) – select inch or mm – Click OK

Customer Information:

Name: _____
 Company: _____
 Address: _____
 City: _____ State: _____ Zip: _____
 Country: _____
 Email: _____
 Phone: _____

Vessel Information:

1. Vessel Name: _____
 2. Vessel *IMO# / Hull#: _____
 3. Stock Diameter: _____
 4. Hull Material: _____
 5. Quantity: _____
 6. New Construction/Retro-fit: _____
 7. Serial Number (existing seal): _____
 8. Original Installation Date: _____
 9. Original Installation Yard: _____
 10. Shipyard Name: _____

Information for DryMax Seal Retrofit Installation:

1. Adapter Plate Required: YES NO
 2. Existing BCD (bolt circle diameter): _____
 3. Existing Number of Bolts: _____

Notes:

*(IMO) - International Maritime Number



FORWARD TOGETHER.