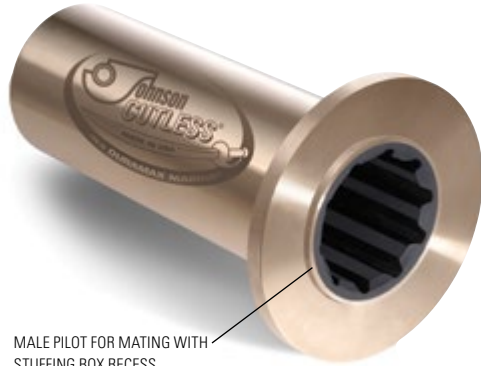


Solid Naval Brass Flanged Bearings

FORWARD STERN TUBE



MALE PILOT FOR MATING WITH STUFFING BOX RECESS

Johnson Cutless Forward Stern Tube Flanged Bearings are made of centrifugally cast naval brass and feature a heavy metal wall and integral flange. The specially formulated nitrile rubber compound is securely bonded to metal shell and is chemical and oil resistant. The integral flange permits solid bolting of the bearing to stern tube stuffing box. The machined male pilot on the integral flange mates with the female recess of the stuffing box. Flanges are furnished UN-DRILLED unless specified. See page 18 for "Drilling Diagrams". For Split or Stepped styles see pages 14-17.

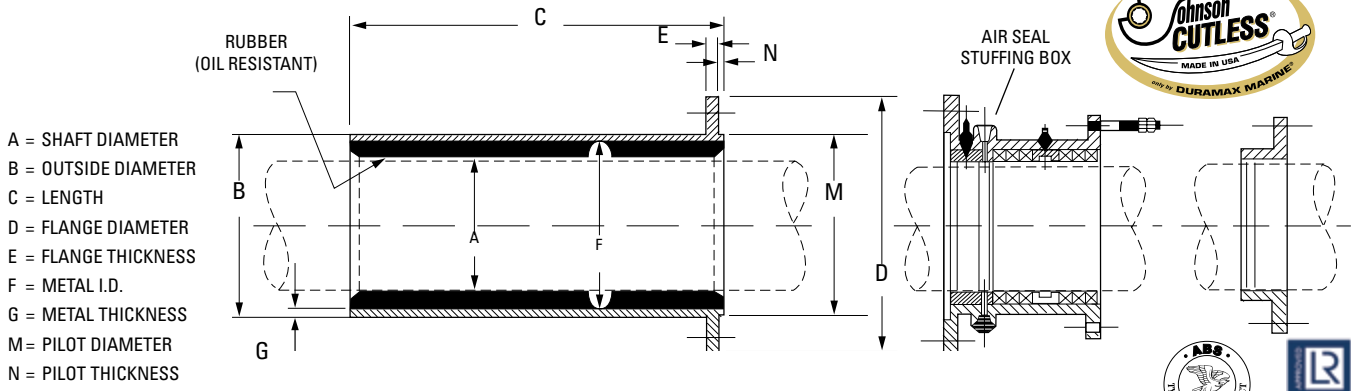
PRECAUTION:

When shrink fitting of the bearing is required, chilling must be achieved by gradual cooling to not more than minus 20°F(-28°C) using freezer or regular ice (**DO NOT DRY ICE**). NOTE: Pounding or shocking the bearing while in the chilled state could cause the rubber to separate from the shell.

Approved Bearings: Johnson Cutless® Naval Brass Flanged Bearings meet military specification MIL-DTL-17901C (SH) Class II Full-Molded type and have full type approval from The American Bureau of Shipping.

| Part No. | Code | A Shaft Diameter | | B Outside Diameter | | C Length | | D Flange Diameter | | E Flange Thickness | | F Metal I.D. | | G Metal Thickness | | M Pilot Diameter | | N Pilot Thickness | | Gross Wt. | |
|-----------|-------|------------------|--------|--------------------|--------|----------|--------|-------------------|--------|--------------------|-------|--------------|--------|-------------------|-------|------------------|--------|-------------------|------|-----------|------|
| | | inch | mm | inch | mm | inch | mm | inch | mm | inch | mm | inch | mm | inch | mm | inch | mm | inch | mm | lbs. | kg. |
| 860642180 | 212 | 2 1/2 | 63.50 | 3 3/8 | 85.73 | 10 | 254.00 | 6 1/4 | 158.75 | 3/8 | 9.53 | 3 1/8 | 79.38 | 1/8 | 3.18 | 4 | 101.60 | 3/16 | 4.76 | 12 | 5.4 |
| 860762180 | 300 | 3 | 76.20 | 4 1/4 | 107.95 | 12 | 304.80 | 7 1/2 | 190.50 | 1/2 | 12.70 | 3 3/4 | 95.25 | 1/4 | 6.35 | 4 3/4 | 120.65 | 3/16 | 4.76 | 21 | 9.5 |
| 860832180 | 314 | 3 1/4 | 82.55 | 4 1/2 | 114.30 | 13 | 330.20 | 7 1/2 | 190.50 | 1/2 | 12.70 | 4 | 101.60 | 1/4 | 6.35 | 4 3/4 | 120.65 | 3/16 | 4.76 | 24 | 10.9 |
| 860892180 | 312 | 3 1/2 | 88.90 | 4 7/8 | 123.83 | 14 | 355.60 | 8 1/8 | 206.38 | 1/2 | 12.70 | 4 1/4 | 107.95 | 5/16 | 7.94 | 5 1/4 | 133.35 | 3/16 | 4.76 | 38 | 17.2 |
| 860952180 | 334 | 3 3/4 | 95.25 | 5 1/4 | 133.35 | 15 | 381.00 | 8 1/8 | 206.38 | 1/2 | 12.70 | 4 5/8 | 117.48 | 5/16 | 7.94 | 5 1/4 | 133.35 | 3/16 | 4.76 | 43 | 19.5 |
| 861022180 | 400 | 4 | 101.60 | 5 1/2 | 139.70 | 16 | 406.40 | 8 5/8 | 219.08 | 1/2 | 12.70 | 4 7/8 | 123.83 | 5/16 | 7.94 | 5 3/4 | 146.05 | 3/16 | 4.76 | 48 | 21.8 |
| 861082180 | 414 | 4 1/4 | 107.95 | 5 3/4 | 146.05 | 17 | 431.80 | 8 5/8 | 219.08 | 1/2 | 12.70 | 5 1/8 | 130.18 | 5/16 | 7.94 | 5 3/4 | 146.05 | 3/16 | 4.76 | 52 | 23.6 |
| 861152180 | 412 | 4 1/2 | 114.30 | 6 | 152.40 | 18 | 457.20 | 9 3/8 | 238.13 | 1/2 | 12.70 | 5 3/8 | 136.53 | 5/16 | 7.94 | 6 1/2 | 165.10 | 3/16 | 4.76 | 58 | 26.3 |
| 861212180 | 434 | 4 3/4 | 120.65 | 6 1/4 | 158.75 | 19 | 482.60 | 9 3/8 | 238.13 | 1/2 | 12.70 | 5 5/8 | 142.88 | 5/16 | 7.94 | 6 1/2 | 165.10 | 3/16 | 4.76 | 61 | 27.7 |
| 861272180 | 500 | 5 | 127.00 | 6 3/4 | 171.45 | 20 | 508.00 | 10 1/8 | 257.18 | 9/16 | 14.29 | 6 | 152.40 | 3/8 | 9.53 | 7 1/4 | 184.15 | 3/16 | 4.76 | 75 | 34.0 |
| 861342181 | 514 | 5 1/4 | 133.35 | 6 7/8 | 174.63 | 21 | 533.40 | 10 1/8 | 257.18 | 9/16 | 14.29 | 6 1/8 | 155.58 | 3/8 | 9.53 | 7 1/4 | 184.15 | 3/16 | 4.76 | 79 | 35.8 |
| 861402180 | 512 | 5 1/2 | 139.70 | 7 1/4 | 184.15 | 22 | 558.80 | 10 5/8 | 269.88 | 9/16 | 14.29 | 6 1/2 | 165.10 | 3/8 | 9.53 | 7 3/4 | 196.85 | 3/16 | 4.76 | 90 | 40.8 |
| 861462180 | 534 | 5 3/4 | 146.05 | 7 1/4 | 184.15 | 23 | 584.20 | 10 5/8 | 269.88 | 9/16 | 14.29 | 6 1/2 | 165.10 | 3/8 | 9.53 | 7 3/4 | 196.85 | 3/16 | 4.76 | 92 | 41.7 |
| 861532180 | 600 | 6 | 152.40 | 7 3/4 | 196.85 | 15 | 381.00 | 11 3/8 | 288.93 | 9/16 | 14.29 | 7 | 177.80 | 3/8 | 9.53 | 8 | 203.20 | 3/8 | 9.53 | 75 | 34.0 |
| — | 618 | 6 1/8 | 155.58 | 7 7/8 | 200.03 | 15 | 381.00 | 12 1/4 | 311.15 | 9/16 | 14.29 | 7 1/8 | 180.98 | 3/8 | 9.53 | 8 | 203.20 | 3/8 | 9.53 | - | - |
| 861592180 | 614 | 6 1/4 | 158.75 | 7 7/8 | 200.03 | 15 | 381.00 | 11 3/8 | 288.93 | 9/16 | 14.29 | 7 1/8 | 180.98 | 3/8 | 9.53 | 8 | 203.20 | 3/8 | 9.53 | 77 | 34.9 |
| — | 638 | 6 3/8 | 161.93 | 8 1/8 | 206.38 | 15 | 381.00 | 12 5/8 | 320.68 | 9/16 | 14.29 | 7 3/8 | 187.33 | 3/8 | 9.53 | 8 3/8 | 212.73 | 3/8 | 9.53 | - | - |
| 861662180 | 612 | 6 1/2 | 165.10 | 8 3/8 | 212.73 | 15 | 381.00 | 13 1/2 | 342.90 | 5/8 | 15.88 | 7 1/2 | 190.50 | 7/16 | 11.11 | 8 5/8 | 219.08 | 3/8 | 9.53 | 91 | 41.3 |
| 861692180 | FETCH | 6 5/8 | 168.28 | 8 5/8 | 219.08 | 15 | 381.00 | 13 1/2 | 342.90 | 5/8 | 15.88 | 7 5/8 | 193.68 | 1/2 | 12.70 | 8 5/8 | 219.08 | 3/8 | 9.53 | 104 | 47.2 |
| — | 658 | 6 5/8 | 168.28 | 8 1/2 | 215.90 | 15 | 381.00 | 13 1/2 | 342.90 | 5/8 | 15.88 | 7 5/8 | 193.68 | 7/16 | 11.11 | 8 5/8 | 219.08 | 3/8 | 9.53 | - | - |
| 861722180 | 634 | 6 3/4 | 171.45 | 8 3/4 | 222.25 | 15 | 381.00 | 13 3/4 | 349.25 | 5/8 | 15.88 | 7 7/8 | 200.03 | 7/16 | 11.11 | 9 | 228.60 | 3/8 | 9.53 | 99 | 44.9 |
| — | 678 | 6 7/8 | 174.63 | 8 7/8 | 225.43 | 15 | 381.00 | 13 3/4 | 349.25 | 5/8 | 15.88 | 8 | 203.20 | 7/16 | 11.11 | 9 | 228.60 | 3/8 | 9.53 | - | - |
| 861782180 | 700 | 7 | 177.80 | 9 | 228.60 | 17 1/2 | 444.50 | 13 3/4 | 349.25 | 5/8 | 15.88 | 8 1/8 | 206.38 | 7/16 | 11.11 | 9 | 228.60 | 3/8 | 9.53 | 116 | 52.6 |
| — | 718 | 7 1/8 | 180.98 | 9 1/8 | 231.78 | 17 1/2 | 444.50 | 14 1/8 | 358.78 | 5/8 | 15.88 | 8 1/4 | 209.55 | 7/16 | 11.11 | 9 5/8 | 244.48 | 3/8 | 9.53 | - | - |
| 861852180 | 714 | 7 1/4 | 184.15 | 9 1/4 | 234.95 | 17 1/2 | 444.50 | 14 1/8 | 358.78 | 5/8 | 15.88 | 8 3/8 | 212.73 | 7/16 | 11.11 | 9 5/8 | 244.48 | 3/8 | 9.53 | 122 | 55.3 |
| — | 738 | 7 3/8 | 187.33 | 9 1/2 | 241.30 | 17 1/2 | 444.50 | 14 1/8 | 358.78 | 5/8 | 15.88 | 8 5/8 | 219.08 | 7/16 | 11.11 | 9 5/8 | 244.48 | 3/8 | 9.53 | - | - |
| 861912180 | 712 | 7 1/2 | 190.50 | 9 5/8 | 244.48 | 17 1/2 | 444.50 | 14 1/2 | 368.30 | 5/8 | 15.88 | 8 3/4 | 222.25 | 7/16 | 11.11 | 10 | 254.00 | 3/8 | 9.53 | 123 | 55.8 |
| — | 758 | 7 5/8 | 193.68 | 9 3/4 | 247.65 | 17 1/2 | 444.50 | 14 1/2 | 368.30 | 5/8 | 15.88 | 8 7/8 | 225.43 | 7/16 | 11.11 | 10 | 254.00 | 3/8 | 9.53 | - | - |
| 861972180 | 734 | 7 3/4 | 196.85 | 9 7/8 | 250.83 | 17 1/2 | 444.50 | 14 1/2 | 368.30 | 5/8 | 15.88 | 8 7/8 | 225.43 | 1/2 | 12.70 | 10 | 254.00 | 3/8 | 9.53 | 126 | 57.2 |
| — | 778 | 7 7/8 | 200.03 | 10 | 254.00 | 17 1/2 | 444.50 | 14 7/8 | 377.76 | 5/8 | 15.88 | 9 1/8 | 231.78 | 7/16 | 11.11 | 10 3/8 | 263.53 | 3/8 | 9.53 | - | - |
| 862042180 | HARDY | 8 | 203.20 | 10 1/4 | 260.35 | 20 | 508.00 | 14 7/8 | 377.76 | 5/8 | 15.88 | 9 1/4 | 234.95 | 1/2 | 12.70 | 10 3/8 | 263.53 | 3/8 | 9.53 | 145 | 65.8 |
| — | 818 | 8 1/8 | 206.38 | 10 3/8 | 263.53 | 20 | 508.00 | 14 7/8 | 377.76 | 5/8 | 15.88 | 9 3/8 | 238.13 | 1/2 | 12.70 | 10 3/8 | 263.53 | 3/8 | 9.53 | - | - |
| 862102180 | 814 | 8 1/4 | 209.55 | 10 1/2 | 266.70 | 20 | 508.00 | 15 1/4 | 387.35 | 5/8 | 15.88 | 9 1/2 | 241.30 | 1/2 | 12.70 | 10 3/4 | 273.05 | 3/8 | 9.53 | 157 | 71.2 |
| — | 838 | 8 3/8 | 212.73 | 10 5/8 | 269.88 | 20 | 508.00 | 15 1/4 | 387.35 | 5/8 | 15.88 | 9 5/8 | 244.48 | 1/2 | 12.70 | 10 3/4 | 273.05 | 3/8 | 9.53 | 162 | 73.5 |
| 862172180 | 812 | 8 1/2 | 215.90 | 10 3/4 | 273.05 | 20 | 508.00 | 15 1/4 | 387.35 | 5/8 | 15.88 | 9 3/4 | 247.65 | 1/2 | 12.70 | 10 3/4 | 273.05 | 3/8 | 9.53 | 162 | 73.5 |
| — | 858 | 8 5/8 | 219.08 | 10 7/8 | 276.23 | 20 | 508.00 | 15 5/8 | 396.88 | 3/4 | 19.05 | 9 7/8 | 250.83 | 1/2 | 12.70 | 11 1/8 | 282.58 | 3/8 | 9.53 | - | - |
| 862232180 | 834 | 8 3/4 | 222.25 | 11 | 279.40 | 20 | 508.00 | 15 5/8 | 396.88 | 3/4 | 19.05 | 10 | 254.00 | 1/2 | 12.70 | 11 1/8 | 282.58 | 3/8 | 9.53 | 170 | 77.1 |
| — | 878 | 8 7/8 | 225.43 | 11 1/8 | 282.58 | 20 | 508.00 | 15 5/8 | 396.88 | 3/4 | 19.05 | 10 1/8 | 257.18 | 1/2 | 12.70 | 11 1/8 | 282.58 | 3/8 | 9.53 | - | - |
| 862292180 | 900 | 9 | 228.60 | 11 1/4 | 285.75 | 22 1/2 | 571.50 | 16 | 406.40 | 3/4 | 19.05 | 10 1/4 | 260.35 | 1/2 | 12.70 | 11 1/2 | 292.10 | 3/8 | 9.53 | 193 | 87.5 |
| — | 918 | 9 1/8 | 231.78 | 11 3/8 | 288.93 | 22 1/2 | 571.50 | 16 | 406.40 | 3/4 | 19.05 | 10 3/8 | 263.53 | 1/2 | 12.70 | 11 1/2 | 292.10 | 3/8 | 9.53 | - | - |
| 862362180 | INLET | 9 1/4 | 234.95 | 11 1/2 | 292.10 | 22 1/2 | 571.50 | 16 | 406.40 | 3/4 | 19.05 | 10 1/2 | 266.70 | 1/2 | 12.70 | 11 1/2 | 292.10 | 3/8 | 9.53 | 200 | 90.7 |
| — | 938 | 9 3/8 | 238.13 | 11 5/8 | 295.28 | 22 1/2 | 571.50 | 16 3/8 | 415.93 | 3/4 | 19.05 | 10 5/8 | 269.88 | 1/2 | 12.70 | 11 7/8 | 301.63 | 3/8 | 9.53 | - | - |
| 862422180 | 912 | 9 1/2 | 241.30 | 11 3/4 | 298.45 | 22 1/2 | 571.50 | 16 3/8 | 415.93 | 3/4 | 19.05 | 10 3/4 | 273.05 | 1/2 | 12.70 | 11 7/8 | 301.63 | 3/8 | 9.53 | 205 | 93.0 |

NOTE: Dimensions for each size bearing continue across both pages.



| Part No. | Code | A Shaft Diameter | | B Outside Diameter | | C Length | | D Flange Diameter | | E Flange Thickness | | F Metal I.D. | | G Metal Thickness | | M Pilot Diameter | | N Pilot Thickness | | Gross Wt. | |
|-----------|-------|------------------|--------|--------------------|--------|----------|--------|-------------------|--------|--------------------|-------|--------------|--------|-------------------|-------|------------------|--------|-------------------|------|-----------|-------|
| | | inch | mm | inch | mm | inch | mm | inch | mm | inch | mm | inch | mm | inch | mm | inch | mm | inch | mm | lbs. | kg. |
| 862452182 | 958 | 9 5/8 | 244.48 | 11 7/8 | 301.63 | 22 1/2 | 571.50 | 16 3/8 | 415.93 | 3/4 | 19.05 | 10 7/8 | 276.23 | 1/2 | 12.70 | 11 7/8 | 301.63 | 3/8 | 9.53 | - | - |
| 862482180 | 934 | 9 3/4 | 247.65 | 12 1/8 | 307.98 | 22 1/2 | 571.50 | 16 7/8 | 428.56 | 3/4 | 19.05 | 11 | 279.40 | 9/16 | 14.29 | 12 3/8 | 314.33 | 3/8 | 9.53 | 217 | 98.4 |
| 862522180 | 978 | 9 7/8 | 250.83 | 12 1/4 | 311.15 | 22 1/2 | 571.50 | 16 7/8 | 428.56 | 3/4 | 19.05 | 11 1/8 | 282.58 | 9/16 | 14.29 | 12 3/8 | 314.33 | 3/8 | 9.53 | - | - |
| 862552180 | 1000 | 10 | 254.00 | 12 3/8 | 314.33 | 25 | 635.00 | 16 7/8 | 428.56 | 3/4 | 19.05 | 11 1/4 | 285.75 | 9/16 | 14.29 | 12 3/8 | 314.33 | 3/8 | 9.53 | 240 | 108.9 |
| — | 1018 | 10 1/8 | 257.18 | 12 1/2 | 317.50 | 25 | 635.00 | 17 7/8 | 453.96 | 3/4 | 19.05 | 11 3/8 | 288.93 | 9/16 | 14.29 | 12 3/4 | 323.85 | 3/8 | 9.53 | - | - |
| 862612180 | 1014 | 10 1/4 | 260.35 | 12 5/8 | 320.68 | 25 | 635.00 | 17 7/8 | 453.96 | 3/4 | 19.05 | 11 1/2 | 292.10 | 9/16 | 14.29 | 12 3/4 | 323.85 | 3/8 | 9.53 | 244 | 110.7 |
| — | 1038 | 10 3/8 | 263.53 | 12 3/4 | 323.85 | 25 | 635.00 | 17 7/8 | 453.96 | 3/4 | 19.05 | 11 5/8 | 295.28 | 9/16 | 14.29 | 12 3/4 | 323.85 | 3/8 | 9.53 | - | - |
| 862682180 | 1012 | 10 1/2 | 266.70 | 12 7/8 | 327.03 | 25 | 635.00 | 18 1/4 | 463.55 | 3/4 | 19.05 | 11 3/4 | 298.45 | 9/16 | 14.29 | 13 1/8 | 333.38 | 3/8 | 9.53 | 247 | 112.0 |
| — | 1058 | 10 5/8 | 269.88 | 13 | 330.20 | 25 | 635.00 | 18 1/4 | 463.55 | 3/4 | 19.05 | 11 7/8 | 301.63 | 9/16 | 14.29 | 13 1/8 | 333.38 | 3/8 | 9.53 | - | - |
| 862742180 | JOLLY | 10 3/4 | 273.05 | 13 1/8 | 333.38 | 25 | 635.00 | 18 1/4 | 463.55 | 3/4 | 19.05 | 12 | 304.80 | 9/16 | 14.29 | 13 1/8 | 333.38 | 3/8 | 9.53 | 250 | 113.4 |
| — | 1078 | 10 7/8 | 276.23 | 13 1/4 | 336.55 | 25 | 635.00 | 18 5/8 | 473.08 | 3/4 | 19.05 | 12 1/8 | 307.98 | 9/16 | 14.29 | 13 1/2 | 342.90 | 3/8 | 9.53 | - | - |
| 862802180 | KETCH | 11 | 279.40 | 13 1/2 | 342.90 | 27 1/2 | 698.50 | 18 5/8 | 473.08 | 3/4 | 19.05 | 12 3/8 | 314.33 | 9/16 | 14.29 | 13 1/2 | 342.90 | 3/8 | 9.53 | 300 | 136.1 |
| — | 1118 | 11 1/8 | 282.58 | 13 5/8 | 346.08 | 27 1/2 | 698.50 | 18 5/8 | 473.08 | 3/4 | 19.05 | 12 1/2 | 317.50 | 9/16 | 14.29 | 13 1/2 | 342.90 | 3/8 | 9.53 | - | - |
| 862872180 | 1114 | 11 1/4 | 285.75 | 13 3/4 | 349.25 | 27 1/2 | 698.50 | 19 | 482.60 | 3/4 | 19.05 | 12 5/8 | 320.68 | 9/16 | 14.29 | 13 7/8 | 352.43 | 3/8 | 9.53 | 312 | 141.5 |
| — | 1138 | 11 3/8 | 288.93 | 14 | 355.60 | 27 1/2 | 698.50 | 19 | 482.60 | 3/4 | 19.05 | 12 3/4 | 323.85 | 5/8 | 15.88 | 13 7/8 | 352.43 | 3/8 | 9.53 | - | - |
| 862932180 | 1112 | 11 1/2 | 292.10 | 14 1/8 | 358.78 | 27 1/2 | 698.50 | 19 | 482.60 | 3/4 | 19.05 | 12 7/8 | 327.03 | 5/8 | 15.88 | 13 7/8 | 352.43 | 3/8 | 9.53 | 326 | 147.9 |
| — | 1158 | 11 5/8 | 295.28 | 14 1/4 | 361.95 | 27 1/2 | 698.50 | 19 3/8 | 492.13 | 3/4 | 19.05 | 13 | 330.20 | 5/8 | 15.88 | 14 1/8 | 358.78 | 3/8 | 9.53 | - | - |
| 862992180 | 1134 | 11 3/4 | 298.45 | 14 3/8 | 365.13 | 27 1/2 | 698.50 | 19 3/8 | 492.13 | 3/4 | 19.05 | 13 1/8 | 333.38 | 5/8 | 15.88 | 14 1/8 | 358.78 | 3/8 | 9.53 | 335 | 152.0 |
| — | 1178 | 11 7/8 | 301.63 | 14 1/2 | 368.30 | 27 1/2 | 698.50 | 19 3/8 | 492.13 | 3/4 | 19.05 | 13 1/4 | 336.55 | 5/8 | 15.88 | 14 1/8 | 358.78 | 3/8 | 9.53 | - | - |
| 863062180 | 1200 | 12 | 304.80 | 14 3/4 | 374.65 | 30 | 762.00 | 19 3/4 | 501.65 | 3/4 | 19.05 | 13 1/2 | 342.90 | 5/8 | 15.88 | 14 1/2 | 368.30 | 3/8 | 9.53 | 360 | 163.3 |
| 863092180 | 1218 | 12 1/8 | 307.98 | 14 7/8 | 377.83 | 30 | 762.00 | 19 3/4 | 501.65 | 3/4 | 19.05 | 13 5/8 | 346.08 | 5/8 | 15.88 | 14 1/2 | 368.30 | 3/8 | 9.53 | - | - |
| 863122180 | 1214 | 12 1/4 | 311.15 | 15 | 381.00 | 30 | 762.00 | 19 3/4 | 501.65 | 3/4 | 19.05 | 13 3/4 | 349.25 | 5/8 | 15.88 | 14 1/2 | 368.30 | 3/8 | 9.53 | 373 | 169.2 |
| 863152180 | 1238 | 12 3/8 | 314.33 | 15 1/8 | 384.18 | 30 | 762.00 | 20 1/8 | 511.18 | 7/8 | 22.23 | 13 7/8 | 352.43 | 5/8 | 15.88 | 15 1/8 | 384.18 | 3/8 | 9.53 | - | - |
| 863182180 | 1212 | 12 1/2 | 317.50 | 15 1/4 | 387.35 | 30 | 762.00 | 20 1/8 | 511.18 | 7/8 | 22.23 | 14 | 355.60 | 5/8 | 15.88 | 15 1/8 | 384.18 | 3/8 | 9.53 | 394 | 178.7 |
| 863222180 | 1258 | 12 5/8 | 320.68 | 15 3/8 | 390.53 | 30 | 762.00 | 20 1/8 | 511.18 | 7/8 | 22.23 | 14 1/8 | 358.78 | 5/8 | 15.88 | 15 1/8 | 384.18 | 3/8 | 9.53 | - | - |
| — | 1234 | 12 3/4 | 323.85 | 15 1/2 | 393.70 | 30 | 762.00 | 20 1/2 | 520.70 | 7/8 | 22.23 | 14 1/4 | 361.95 | 5/8 | 15.88 | 15 1/2 | 393.70 | 3/8 | 9.53 | - | - |
| — | 1278 | 12 7/8 | 327.03 | 15 5/8 | 396.88 | 30 | 762.00 | 20 1/2 | 520.70 | 7/8 | 22.23 | 14 3/8 | 365.13 | 5/8 | 15.88 | 15 1/2 | 393.70 | 3/8 | 9.53 | - | - |
| — | 1300 | 13 | 330.20 | 15 7/8 | 403.23 | 32 1/2 | 825.50 | 20 1/2 | 520.70 | 7/8 | 22.23 | 14 1/2 | 368.30 | 11/16 | 17.46 | 15 1/2 | 393.70 | 3/8 | 9.53 | - | - |
| — | 1318 | 13 1/8 | 333.38 | 16 | 406.40 | 32 1/2 | 825.50 | 21 | 533.40 | 7/8 | 22.23 | 14 5/8 | 371.48 | 11/16 | 17.46 | 15 3/4 | 400.05 | 3/8 | 9.53 | - | - |
| — | 1314 | 13 1/4 | 336.55 | 16 1/8 | 409.58 | 32 1/2 | 825.50 | 21 | 533.40 | 7/8 | 22.23 | 14 3/4 | 374.65 | 11/16 | 17.46 | 15 3/4 | 400.05 | 3/8 | 9.53 | - | - |
| — | 1338 | 13 3/8 | 339.73 | 16 1/4 | 412.75 | 32 1/2 | 825.50 | 21 | 533.40 | 7/8 | 22.23 | 14 7/8 | 377.83 | 11/16 | 17.46 | 15 3/4 | 400.05 | 3/8 | 9.53 | - | - |
| 863442181 | 1312 | 13 1/2 | 342.90 | 16 3/8 | 415.93 | 32 1/2 | 825.50 | 21 3/8 | 542.93 | 7/8 | 22.23 | 15 | 381.00 | 11/16 | 17.46 | 16 1/4 | 412.75 | 3/8 | 9.53 | - | - |
| 863472180 | 1358 | 13 5/8 | 346.08 | 16 1/2 | 419.10 | 32 1/2 | 825.50 | 21 3/8 | 542.93 | 7/8 | 22.23 | 15 1/8 | 384.18 | 11/16 | 17.46 | 16 1/4 | 412.75 | 3/8 | 9.53 | - | - |
| — | 1334 | 13 3/4 | 349.25 | 16 5/8 | 422.28 | 32 1/2 | 825.50 | 21 3/8 | 542.93 | 7/8 | 22.23 | 15 1/4 | 387.35 | 11/16 | 17.46 | 16 1/4 | 412.75 | 3/8 | 9.53 | - | - |
| — | 1378 | 13 7/8 | 352.43 | 16 3/4 | 425.45 | 32 1/2 | 825.50 | 21 3/4 | 552.45 | 7/8 | 22.23 | 15 3/8 | 390.53 | 11/16 | 17.46 | 16 5/8 | 422.28 | 3/8 | 9.53 | - | - |
| — | 1400 | 14 | 355.60 | 16 7/8 | 428.63 | 35 | 889.00 | 21 3/4 | 552.45 | 7/8 | 22.23 | 15 1/2 | 393.70 | 11/16 | 17.46 | 16 5/8 | 422.28 | 3/8 | 9.53 | - | - |
| — | 1418 | 14 1/8 | 358.78 | 17 | 431.80 | 35 | 889.00 | 21 3/4 | 552.45 | 7/8 | 22.23 | 15 5/8 | 396.88 | 11/16 | 17.46 | 16 5/8 | 422.28 | 3/8 | 9.53 | - | - |
| — | 1414 | 14 1/4 | 361.95 | 17 1/8 | 434.98 | 35 | 889.00 | 22 1/8 | 561.98 | 7/8 | 22.23 | 15 3/4 | 400.05 | 11/16 | 17.46 | 17 1/4 | 438.15 | 3/8 | 9.53 | - | - |
| — | 1438 | 14 3/8 | 365.13 | 17 1/4 | 438.15 | 35 | 889.00 | 22 1/8 | 561.98 | 7/8 | 22.23 | 15 7/8 | 403.23 | 11/16 | 17.46 | 17 1/4 | 438.15 | 3/8 | 9.53 | - | - |
| — | 1412 | 14 1/2 | 368.30 | 17 1/2 | 444.50 | 35 | 889.00 | 22 1/8 | 561.98 | 7/8 | 22.23 | 16 | 406.40 | 3/4 | 19.05 | 17 1/4 | 438.15 | 3/8 | 9.53 | - | - |
| — | 1458 | 14 5/8 | 371.48 | 17 5/8 | 447.68 | 35 | 889.00 | 22 1/2 | 571.50 | 7/8 | 22.23 | 16 1/8 | 409.58 | 3/4 | 19.05 | 17 1/2 | 444.50 | 3/8 | 9.53 | - | - |
| — | 1434 | 14 3/4 | 374.65 | 17 3/4 | 450.85 | 35 | 889.00 | 22 1/2 | 571.50 | 7/8 | 22.23 | 16 1/4 | 412.75 | 3/4 | 19.05 | 17 1/2 | 444.50 | 3/8 | 9.53 | - | - |
| — | 1478 | 14 7/8 | 377.83 | 17 7/8 | 454.03 | 35 | 889.00 | 22 3/4 | 577.85 | 7/8 | 22.23 | 16 3/8 | 415.93 | 3/4 | 19.05 | 17 3/4 | 450.85 | 3/8 | 9.53 | - | - |
| — | 1500 | 15 | 381.00 | 18 | 457.20 | 35 | 889.00 | 22 3/4 | 577.85 | 7/8 | 22.23 | 16 1/2 | 419.10 | 3/4 | 19.05 | 17 3/4 | 450.85 | 3/8 | 9.53 | - | - |

NOTE: Dimensions for each size bearing continue across both pages.

NAVAL BRASS FLANGED