

600 SERIES

RECTANGULAR CHAIN

Unique Duramax® rectangular solid bumper is extruded with a continuous chain throughout the length of the piece.

Standard leaders on ends are 6 inches long, but longer lengths are available upon request.



CODE NO.	DURAMAX® PART NO.	BASE WIDTH (W)	HEIGHT (H)	CHAIN SIZE	WT./FT.	PROOF COIL CHAIN LOAD LIMIT	ALLOY CHAIN LOAD LIMIT
DB-604	802060401	5"	5"	1/2"	14 LBS.	4250 LBS.	11250 LBS.
DB-605	802060501	6 1/2"	5"	1/2"	18 LBS.	4250 LBS.	11250 LBS.
DB-606	802060601	6 1/2"	6"	1/2"	22 LBS.	4250 LBS.	11250 LBS.
DB-608	802060801	8"	8"	1/2"	36 LBS.	4250 LBS.	11250 LBS.
DB-609	802060901	10"	8"	5/8"	46 LBS.	6375 LBS.	16500 LBS.
DB-610	802061001	10"	10"	5/8"	65 LBS.	6375 LBS.	16500 LBS.
DB-612	802061201	12"	12"	5/8"	85 LBS.	6375 LBS.	16500 LBS.
DB-614	802061401	14"	14"	5/8"	110 LBS.	6375 LBS.	16500 LBS.

*Max. length for white and grey are 20 FT.

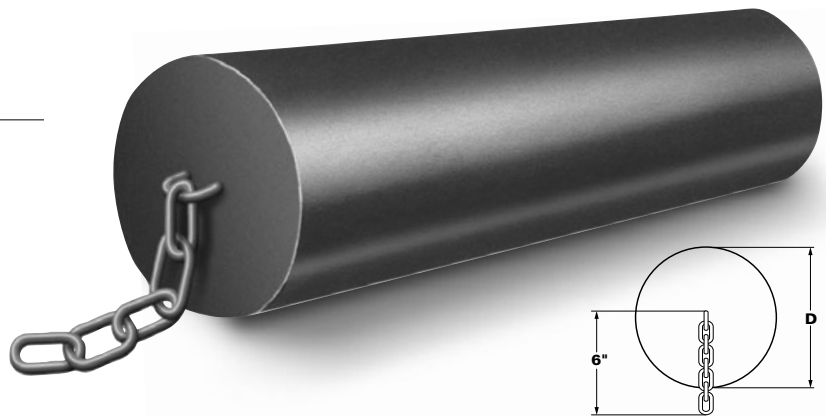
EXTRUSION W/CHAIN

700 SERIES

CYLINDRICAL CHAIN

Unique Duramax® cylindrical solid bumper is extruded with a continuous chain throughout the length of the piece.

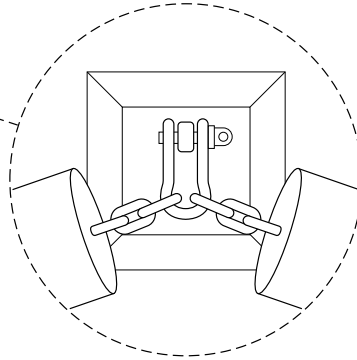
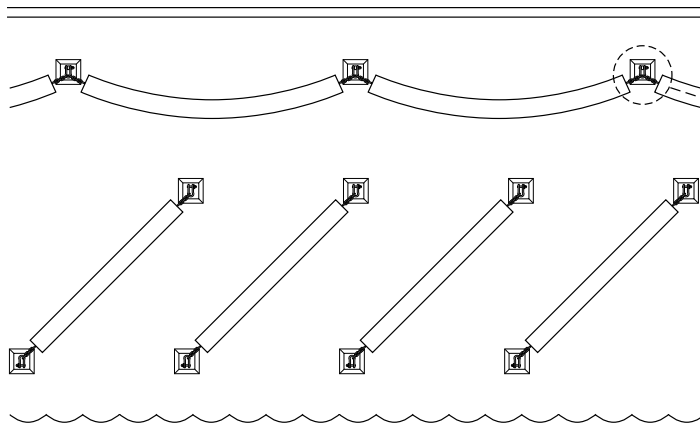
Standard leaders on ends are 6 inches long, but longer lengths are available upon request.



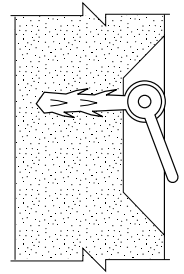
CODE NO.	DURAMAX® PART NO.	OUTSIDE DIAM. (D)	CHAIN SIZE	APPROX. WT./FT.	PROOF COIL CHAIN LOAD LIMIT	ALLOY CHAIN LOAD LIMIT
DB-705	802070501	5"	1/2"	12 LBS.	4250 LBS.	11250 LBS.
DB-706	802070601	6"	1/2"	16 LBS.	4250 LBS.	11250 LBS.
DB-707	802070701	7"	1/2"	23 LBS.	4250 LBS.	11250 LBS.
DB-708	802070801	8"	5/8"	30 LBS.	6375 LBS.	16500 LBS.
DB-709	802070901	9"	5/8"	37 LBS.	6375 LBS.	16500 LBS.
DB-710	802071001	10"	3/4"	47 LBS.	9125 LBS.	23000 LBS.
DB-711	802071101	11"	3/4"	55 LBS.	9125 LBS.	23000 LBS.
DB-712	802071201	12"	1"	68 LBS.	12400 LBS.	38750 LBS.

*Max. length for white and grey are 20 FT.

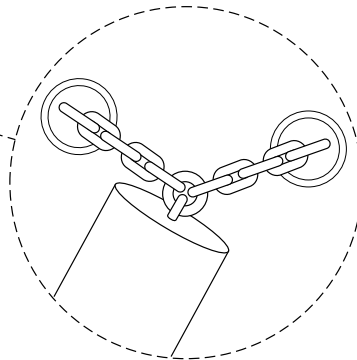
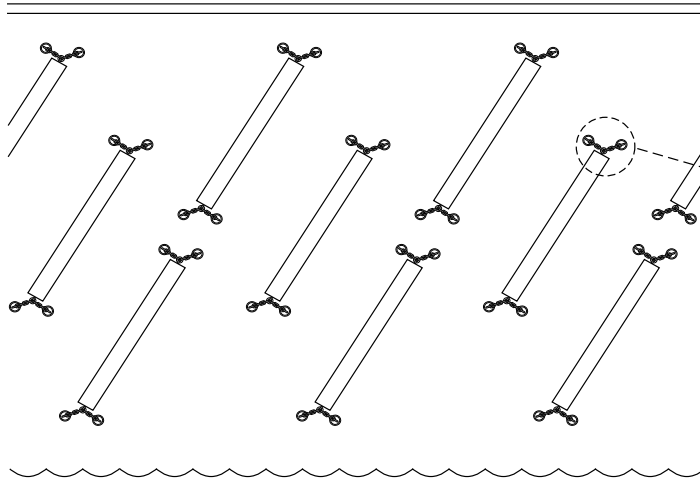
600 & 700 SERIES Configurations



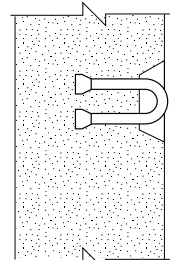
DETAIL OF "EYEBOLT" & FENDER WITH EMBEDDED CHAIN



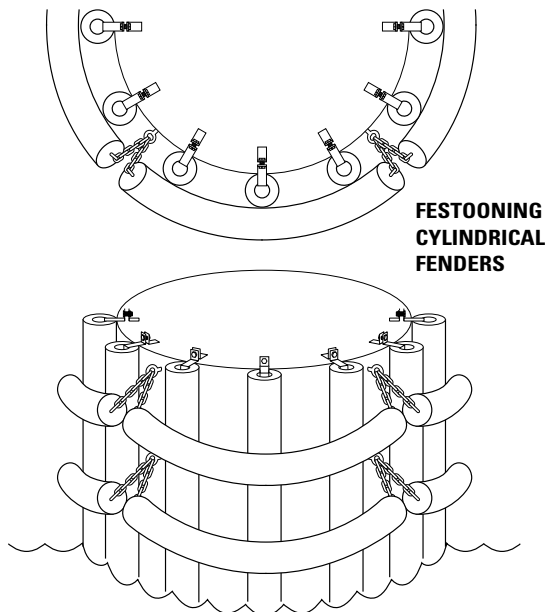
CROSS SECTION OF RECESSED "EYEBOLT" EMBEDDED IN CONCRETE



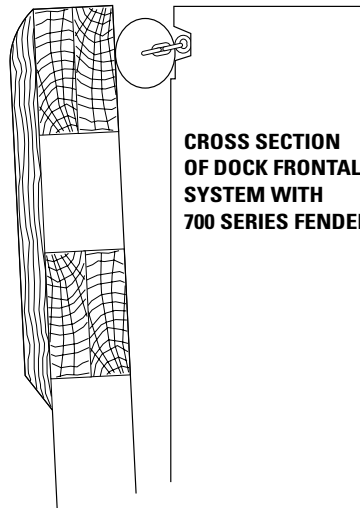
DETAIL OF "EYE RING" & FENDER WITH EMBEDDED CHAIN



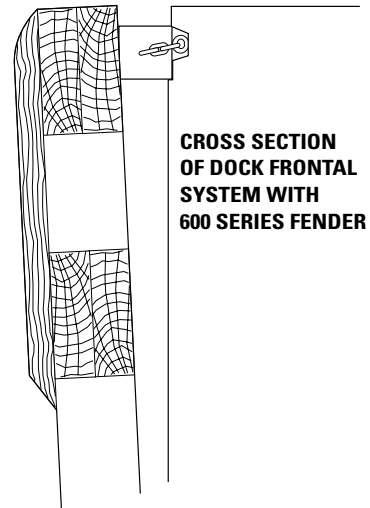
CROSS SECTION OF RECESSED "EYE RING" EMBEDDED IN CONCRETE



FESTOONING CYLINDRICAL FENDERS



CROSS SECTION OF DOCK FRONTAL SYSTEM WITH 700 SERIES FENDER



CROSS SECTION OF DOCK FRONTAL SYSTEM WITH 600 SERIES FENDER

EXTRUSION W/CHAIN