

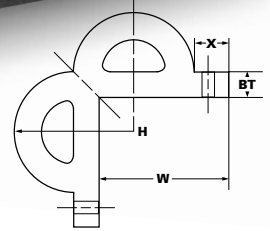
800 SERIES

CORNER GUARD

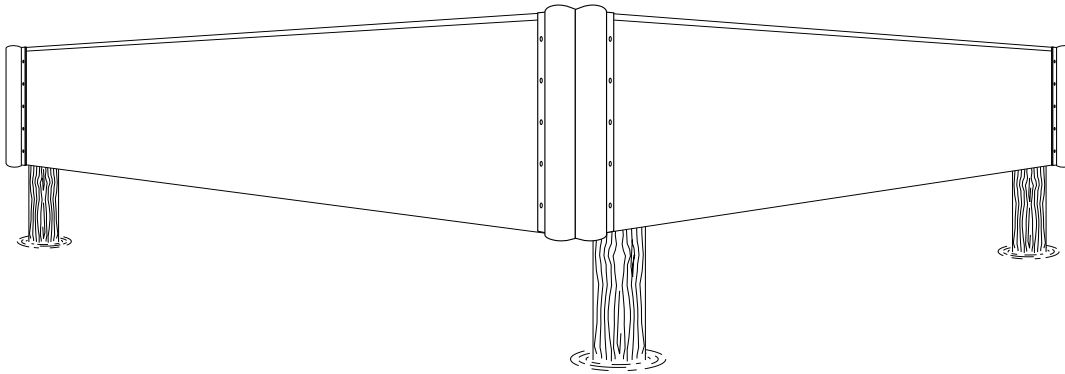
The Duramax® Corner Guard fender is designed to give optimal protection to 90 degree corners.

Extrusion has 2" wings for easy fastening.

Offered in three EPDM colors: black, non-marking grey and white.



CODE NO.	DURAMAX® PART NO.	BASE WIDTH (W)	BASE THICKNESS (BT)	WING LENGTH (X)	REF RADIUS (H)	WT./FT.	LENGTH UP TO
DB-809	802080901	5 9/16"	1 1/2"	2"	4 1/2"	21 LBS.	20 FT.



CORNER GUARD

